

Vibration-Round-Screener VRS

Classification, protection- and control screening



Vibration-Round-Screener VRS

For unlimited applications

Screening machines of the VRS series are suitable for the economical processing of almost all bulk solids with fine to medium and coarse grains.

The VRS is also ideal for screening of wet materials. The vibration motion can be easily adjusted to match exactly the required screening quality and throughput capacity.

Versatile use

- Dry- and wet screening
- Classification up to 4 fractions
- Protective- and control screening
- Dedusting
- Dewatering



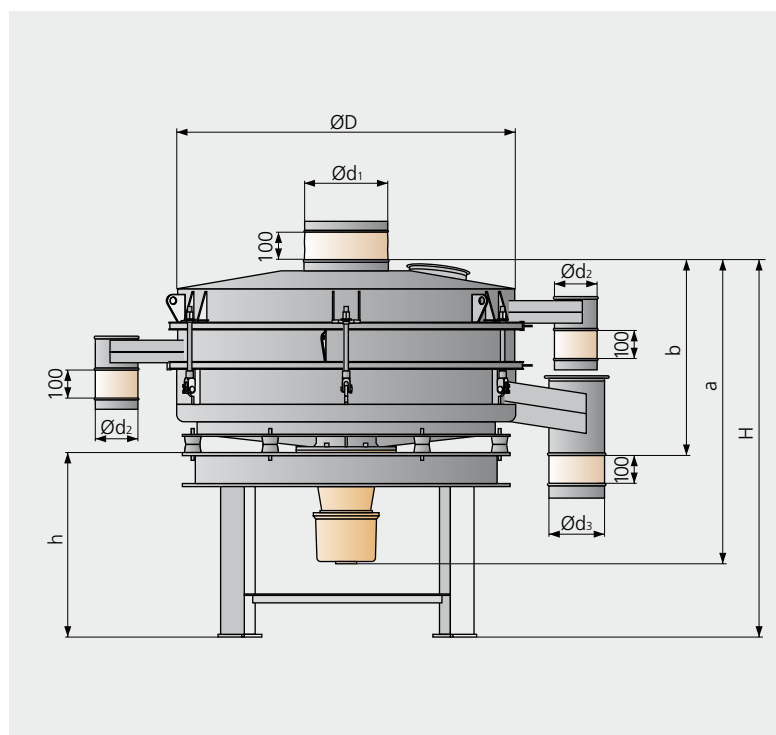
Features

- Flexible adaption to the product
- Modular machine system for a high variety of solutions tailored-to-suite
- Bouncing-ball cleaning device or ultrasonic cleaning device
- Durable screen mesh
- Simple and quick screen replacement
- Dust- and liquid proof
- Steel parts in contact with the product made of stainless steel 304 / 304L
- Rigid base cylinder
- Directly flange mounted vibration motor
- Low energy consumption
- Base frame with low-noise rubber springs for insulation against vibrations
- Low foundation loads
- Simple electrical connection, ON-/OFF switch already wired and installed

- Declaration of conformity (CE) and operation manual in all languages of European community

Options

- Closed top cover or open top
- Hinged cover (for 1-deck machines)
- QSS quick clamp safety system
- One-, two- or three deck machine
- High quality surface finish for pharmaceutical- or food industry
- Spray nozzles, cleaning rings
- Screen mesh cleaning brushes
- Special food applicable (FDA conform) rubber-sealings, -covers, -balls, and screen mesh glue
- Connections in „Tri clamp“, „BFM“, dairy-pipe, etc.
- Steel parts in contact with product made of special stainless steel types 316L, 316Ti, 329A, etc.
- Gas proof versions up to 5.000 Pa (0,73 PSI)



VRS screening machine with ultrasonic cleaning device

Alternatively to the ball cleaning device to keep the meshes open, for very fine grained products an ultrasonic cleaning device ensures efficient and continuous de-blinding of the mesh cloth, thus resulting in a durable and continuous screening process. Ultrasonic systems with external converter (no contact between product and converter) are available.

VRS screening machine in explosion proof design

When screening ex-dust, running the machine in ex-areas or screening under ex-atmosphere inside the screening machine an ex-proof design as per EC-type examination certificate IBExU12A-TEX1093X according to RL 94/9/EG can be supplied.

Dry screening:

⊕ Ex II 1 / 2D c T X,

Wet screening:

⊕ Ex II 1G c T3 / 2DG c IIB T 130°C (T4)

Dry screening with inflammable gases / vapours (hybrid composites):

⊕ Ex II 1DG c T3 / 2DG c IIB T X

VRS screening machine for solid-liquid separation of liquids with high viscosity:

For the protection screening of liquids with high viscosity (e.g. liquid chocolate, cocoa products, etc.) heated VRS screening machines are used. Heating is affected by hot water passing through the double shell base cylinder of the screening machine. The heating system keeps the screening machine and the product at a constant desired temperature in order to prevent the solidifying of the liquid.



Types		VRS 600	VRS 800	VRS 1000	VRS 1200	VRS 1500
Mesh surface/deck	m ²	0.28	0.50	0.79	1.10	1.59
Engine performance	kW	0.3	1.1	1.1	1.35	2.2
Weight without frame						
1-Deck	kg	80	150	240	300	390
2-Decks	kg	100	170	260	350	450
3-Decks	kg	120	190	280	400	510
Measurement						
Ø D	mm	600	800	1,006	1,200	1,427
Ø d ₁	mm	150	150	150	300	300
Ø d ₂	mm	100	100	150	150	200
Ø d ₃	mm	150	150	150	200	200
h	mm	700	700	700	700	700
		H/a/b	H/a/b	H/a/b	H/a/b	H/a/b
1-Deck	mm	1,160/720/435	1,145/690/425	1,190/840/470	1,250/950/535	1,300/995/570
2-Decks	mm	1,255/820/535	1,290/835/570	1,310/960/585	1,400/1,095/680	1,440/1,134/705
3-Decks	mm	1,355/915/635	1,435/980/710	1,430/1,080/705	1,550/1,245/830	1,575/1,275/845

Competent spare parts and customer service

Spare parts hotline: +49 7161 301-447
service@allgaier.de

- 24-hour service for standard spare parts
- Replacement and wearing parts in genuine quality
- Modernization, conversion or retrofitting of existing screening machines
- Fast and qualified assistance by our technical customer service during commissioning, process optimization or on-site repairs
- ATEX post certification



ALLGAIER Process Technology GmbH

Ulmer Str. 75
73066 Uhingen
Germany
Phone: +49 7161 301-353
Fax: +49 7161 34268
process-technology@allgaier.de
www.allgaier.de

