

Vibration Screening Machines VIBRALL

Control screening at high throughput



Vibration Screening Machines VIBRALL For control screening of dry bulk goods

The screening machines of the VIBRALL series are used for both protective and control screening of free-flowing bulk goods in all industrial sectors.

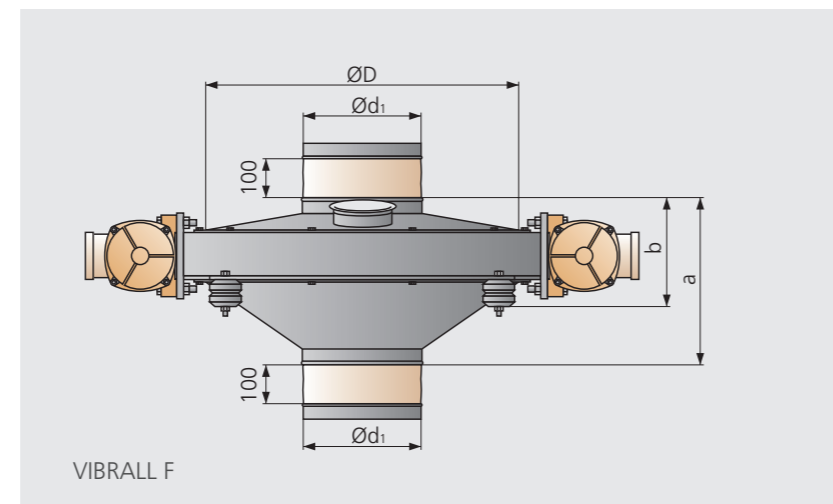
Due to the central position of the material inlet and fines outlet, the VIBRALL screening machines are especially suitable for the use in vertical transport systems with high throughput capacities.

Options for all screening machines of the VIBRALL series

- Closed top cover or open top
- quick clamp system
- High quality surface finish for pharmaceutical and food industry
- Spray nozzles, cleaning spray rings
- Special food applicable (FDA conform) rubber sealings, -covers, -balls and screen mesh glue
- Connections in „Tri clamp“, „BFM“, diary-pipe, „Jacob“ etc.
- Steel parts in contact with product made of special stainless steel types 316L, 316Ti, 329A, etc.
- Gas proof versions up to 5.000 Pa (0,73 PSI)
- Various ATEX versions

Screening machines in explosion proof design:

- When screening ex-dust, running the machine in ex-areas or screening under ex-atmosphere inside the screening machine an ex-proof design as per EC-type examination certificate IBExU12ATEX1094X according to RL 94/9/EG can be supplied, e.g.:
- Dry screening:
Ex II 1 / 2D c T X,
- Wet screening:
Ex II 1G c T3 / 2DG c IIB T 130°C (T4)
- Dry screening with inflammable gases / vapors (hybrid composites):
Ex II 1DG c T3 / 2DG c IIB T X



VIBRALL F

Control screening with the VIBRALL F

- Ideal for unloading- and filling stations
- Extremely low construction height
- Fixed installation or mobile

VIBRALL D

Control screening with the VIBRALL D

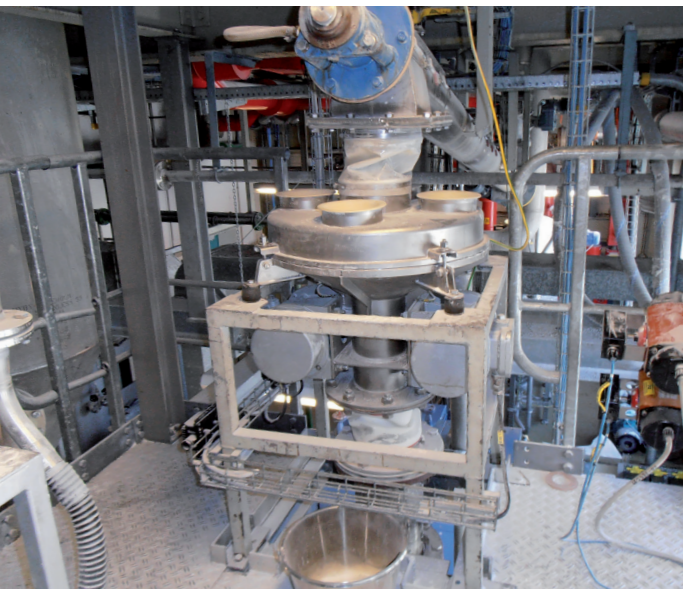
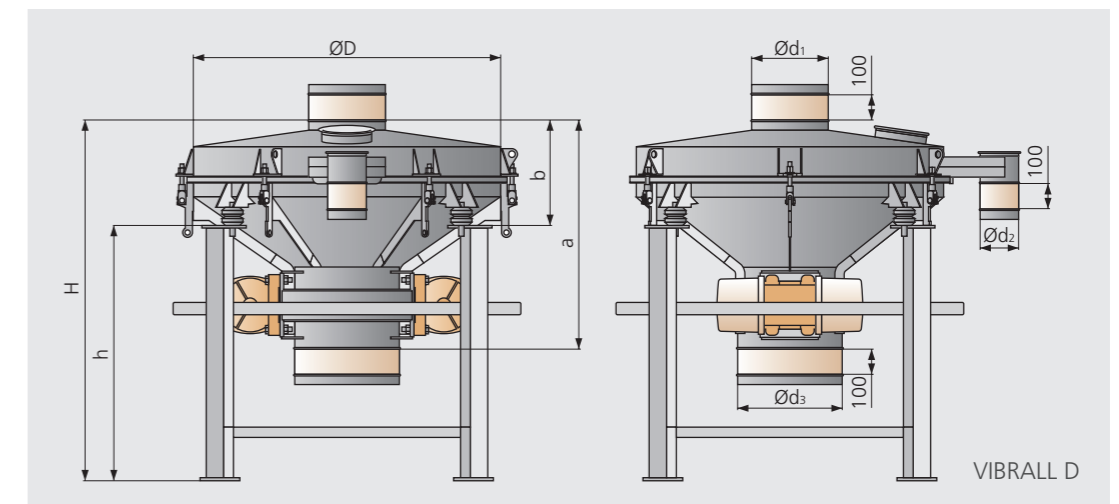
- For the removal of maximum 5% oversize particles from the product
- High acceleration for high throughput
- For mesh apertures > 0,5 mm

Options

- One or two decks
- With hinged cover
- Counter vibrating frame

VIBRALL D screening machines with ultrasonic cleaning

Alternatively to the bouncing-ball cleaning system, ultrasonic cleaning system ensures continuous and efficient de-blinding of the mesh cloth, thus resulting in a durable and continuous screening.



Types		D 500	D 600		D 800	D 950	D 1200	D 1600	D 1800	F 600	F 800
Mesh surface/deck	m ²	0.20	0.28		0,50	0,70	1,10	1,85	2,60	0,28	0,50
Engine performance	kW	2 x 0.17	2 x 0.3		2 x 0.525	2 x 0.68	2 x 0.75	2 x 1.1	2 x 1.1	2 x 0.3	2 x 0.3
Weight without frame											
1-Deck	kg	75	100		160	200	295	440	510	180	200
2-Decks	kg	-	120		220	230	325	500	-	-	-
Measurement											
Ø D	mm	500	600		800	1.000	1.200	1.520	1.830	600	800
Ø d ₁	mm	200	150		150	150	300	400	300	200	250
Ø d ₂	mm	-	100		100	150	150	200	200	200	250
Ø d ₃	mm	200	150		200	220	400	600	600		
h	mm	820	750		765	1.005	1.000	1.390	1.005		
		H/a/b	H/a/b		H/a/b	H/a/b	H/a/b	H/a/b	H/a/b	a/b	a/b
1-Deck	mm	1,000/330/185	1,085/615/335		1,210/745/445	1,410/795/405	1,415/900/415	1,965/1,120/575	1,640/1,290/635	335/260	415/275
2-Decks	mm	-	1,185/715/435		1,345/880/580	1,535/920/535	1,555/1,040/555	2,125/1,280/735			

ALLGAIER Process Technology GmbH

Ulmer Straße 45
73066 Uhingen
Germany
Phone +49 7161 654 683-0
process@allgaier-pt.com

ALLGAIER

MOZET

