

## Vibration Screening Machines VIBRALL

Control screening at high throughput



# Vibration Screening Machines VIBRALL

## For control screening of dry bulk goods

The screening machines of the VIBRALL series are used for both protective and control screening of free-flowing bulk goods in all industrial sectors.

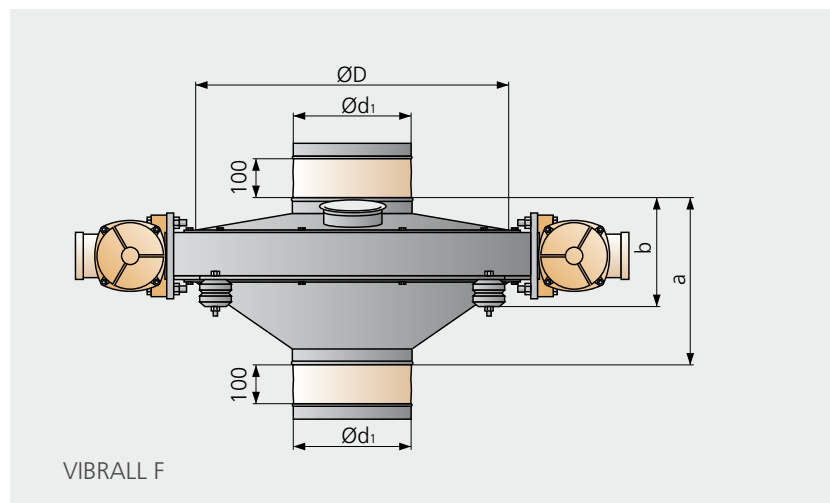
Due to the central position of the material inlet and fines outlet, the VIBRALL screening machines are especially suitable for the use in vertical transport systems with high throughput capacities.

### Options for all screening machines of the VIBRALL series

- Closed top cover or open top
- quick clamp system
- High quality surface finish for pharmaceutical and food industry
- Spray nozzles, cleaning spray rings
- Special food applicable (FDA conform) rubber sealings, -covers, -balls and screen mesh glue
- Connections in „Tri clamp“, „BFM“, diary-pipe, „Jacob“ etc.
- Steel parts in contact with product made of special stainless steel types 316L, 316Ti, 329A, etc.
- Gas proof versions up to 5.000 Pa (0,73 PSI)
- Various ATEX versions

### Screening machines in explosion proof design:

- When screening ex-dust, running the machine in ex-areas or screening under ex-atmosphere inside the screening machine an ex-proof design as per EC-type examination certificate IExU12ATEX1094X according to RL 94/9/EG can be supplied, e.g.:
- Dry screening:  
Ex II 1 / 2D c T X,
- Wet screening:  
Ex II 1G c T3 / 2DG c IIB T 130°C (T4)
- Dry screening with inflammable gases / vapors (hybrid composites):  
Ex II 1DG c T3 / 2DG c IIB T X



Types		D 500	D 600	
Mesh surface/deck	m <sup>2</sup>	0.20	0.28	
Engine performance	kW	2 x 0.17	2 x 0.3	
<b>Weight without frame</b>				
1-Deck	kg	75	100	
2-Decks	kg	-	120	
<b>Measurement</b>				
Ø D	mm	500	600	
Ø d <sub>1</sub>	mm	200	150	
Ø d <sub>2</sub>	mm	-	100	
Ø d <sub>3</sub>	mm	200	150	
h	mm	820	750	
		H/a/b	H/a/b	
1-Deck	mm	1,000/330/185	1,085/615/335	
2-Decks	mm	-	1,185/715/435	

## VIBRALL F

### Control screening with the VIBRALL F

- Ideal for unloading- and filling stations
- Extremely low construction height
- Fixed installation or mobile

## VIBRALL D

### Control screening with the VIBRALL D

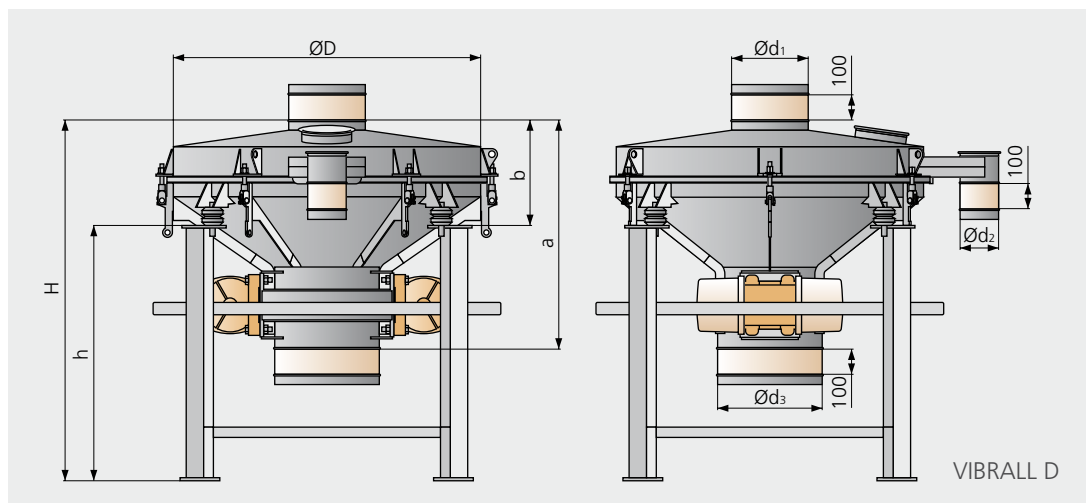
- For the removal of maximum 5% oversize particles from the product
- High acceleration for high throughput
- For mesh apertures > 0,5 mm

### Options

- One or two decks
- With hinged cover
- Counter vibrating frame

### VIBRALL D screening machines with ultrasonic cleaning

Alternatively to the bouncing-ball cleaning system, ultrasonic cleaning system ensures continuous and efficient de-blinding of the mesh cloth, thus resulting in a durable and continuous screening.



	D 800	D 950	D 1200	D 1600	D 1800	F 600	F 800
	0,50	0,70	1,10	1,85	2,60	0,28	0,50
	2 x 0.525	2 x 0.68	2 x 0.75	2 x 1.1	2 x 1.1	2 x 0.3	2 x 0.3
	160	200	295	440	510	180	200
	220	230	325	500	-	-	-
	800	1.000	1.200	1.520	1.830	600	800
	150	150	300	400	300	200	250
	100	150	150	200	200	200	250
	200	220	400	600	600		
	765	1.005	1.000	1.390	1.005		
	H/a/b	H/a/b	H/a/b	H/a/b	H/a/b	a/b	a/b
	1,210/745/445	1,410/795/405	1,415/900/415	1,965/1,120/575	1,640/1,290/635	335/260	415/275
	1,345/880/580	1,535/920/535	1,555/1,040/555	2,125/1,280/735			

## Competent spare parts and customer service

Spare parts hotline: +49 7161 301-447  
service@allgaier.de

- 24-hour service for standard spare parts
- Replacement and wearing parts in genuine quality
- Modernization, conversion or retrofitting of existing screening machines
- Fast and qualified assistance by our technical customer service during commissioning, process optimization or on-site repairs
- ATEX post certification

