

Vibratory conveyor and vibratory screener VCS

Versatile technology in modular design

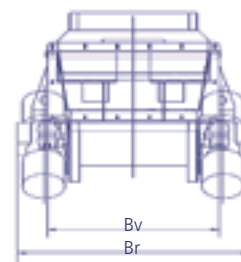
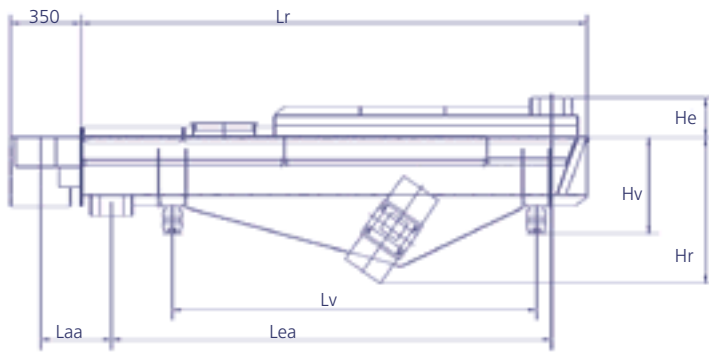
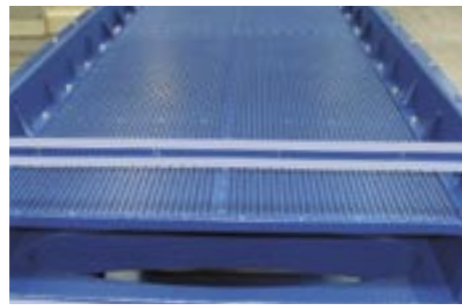
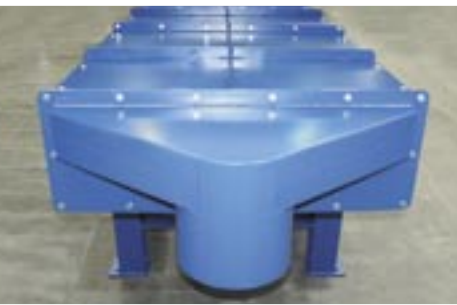


Transporting bulk solids economically.

The vibratory conveyor VCS offers quickly available, cheap and easy to integrate process solutions for the intermediate transport of good flowing bulk solids as well as separation of coarse particles out of a material flow

Target industries

- Minerals
- Mining
- Animal feed
- Wood
- Recycling / Environmental Technology



VCS	nominal width	500			750			1000		
		1500	2000	2500	2000	2500	3000	3000	4000	5000
Lr	overall length conveyor FO / FG	1500	2000	2500	2000	2500	3000	3000	4000	5000
	overall length screener SO / SG	1850	2350	2850	2350	2850	3350	3350	4350	5350
Br	overall width (max.)	ca. 855			ca. 1150			ca. 1575		
Hr	height open conveyor (max.)	645			760			875		
He	height cover (inlet)	ca. 100			ca. 200			ca. 210		
Lea	distance inlet / outlet	1220	1705	2205	1675	2175	2675	2620	3620	4620
Laa	distance outlet / coarse outlet	ca. 345			ca. 350			ca. 380		
Lv	distance displacement	1050	1400	1500	1300	1800	2100	2100	2800	3500
Bv	width displacement	600			850			1100		
Hv	height displacement	ca. 440			ca. 475			ca. 555		
	inlet / outlet, oval	150 x 400			200 x 625			250 x 850		
	coarse particle outlet, circular	300			300			300		



Models

- conveyor open, type FO
- conveyor with cover, type FG
- screening conveyor, type SO
- screening conveyor with cover, type SG

Accessories

- wear protection
- flexible connections for inlet and outlet
- baseframe

Type of construction

linear oscillator driven by 2 unbalanced motors, made of vibration resistant carbon steel.

High level of standardization offers advantages:

- modification from conveyor to screening conveyor
- re-fitting of cover
- short lead times
- very attractive pricing



flexible connection

top cover

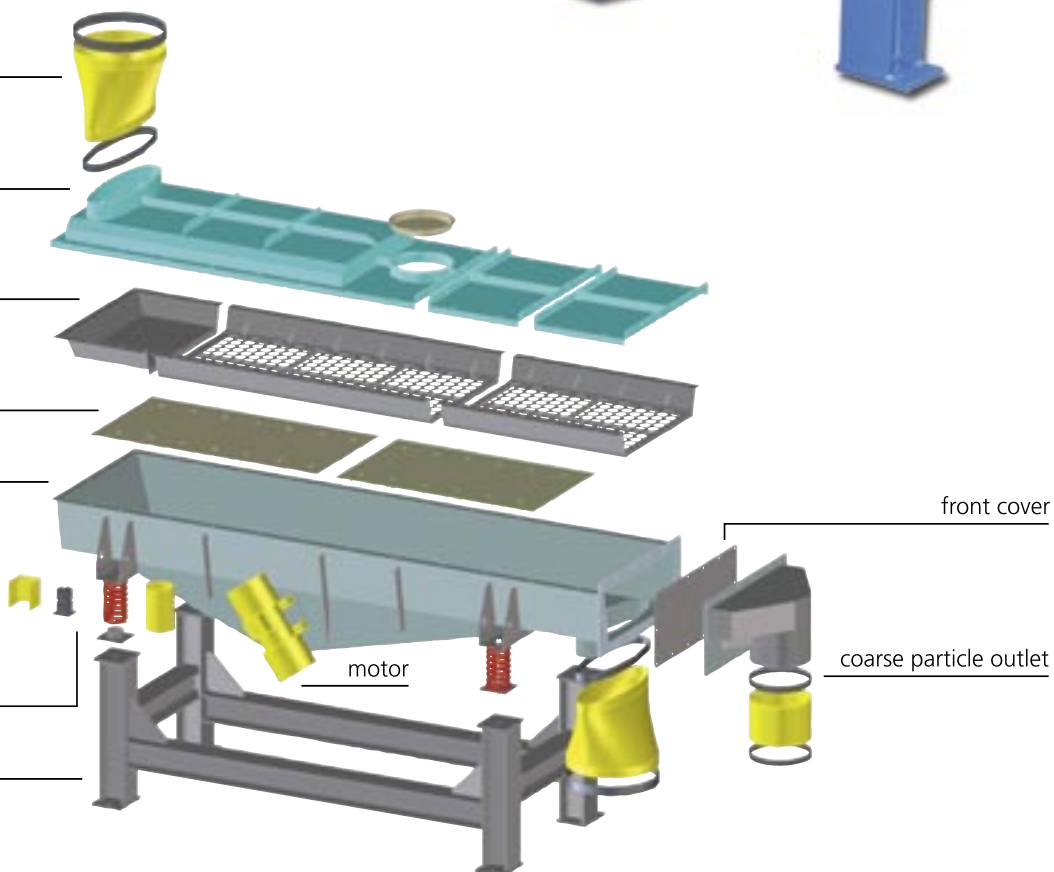
screening deck

wear protection

vibratory conveyor

displacement including transport lock

baseframe



front cover

coarse particle outlet

motor

Allgaier Process Technology GmbH

Ulmer Straße 75
73066 Uhingen
Germany
Phone: +49 7161 301-175
Fax: +49 7161 34268
process-technology@allgaier.de
www.allgaier.de

Manufacturing companies:

Mogensen GmbH & Co. KG

Kronskamp 126
22880 Wedel
Germany
Phone: +49 4103 8042-0
Fax: +49 4103 8042-40
info@mogensen.de
www.mogensen.de

Fredrik Mogensen AB

Sveavägen 26
544 21 Hjo
Sweden
Phone: +46 503 3234-0
Fax: +46 503 13878
info@mogensen.se
www.mogensen.se

Allgaier Mogensen S.A.U.

C/ Téllez, 24 - Oficina 4A
28007 Madrid
Spain
Phone: +34 91 5776277
Fax: +34 91 5757495
info@almo.es
www.almo.es